



Fixed rectangular surface mount wall light

The VEGA represents an architectural wall light which can add a unique presence to your space. With a variety of different options in light output, colour or material, the possibilities are endless.

Installation

Two securing holes for hanging bracket.

Connection

Connects with 230 V, built-in LED driver.
Cable entry at the rear of the luminaire.

Design

Luminaire body in white aluminium
with timber cover plate.

Dimming

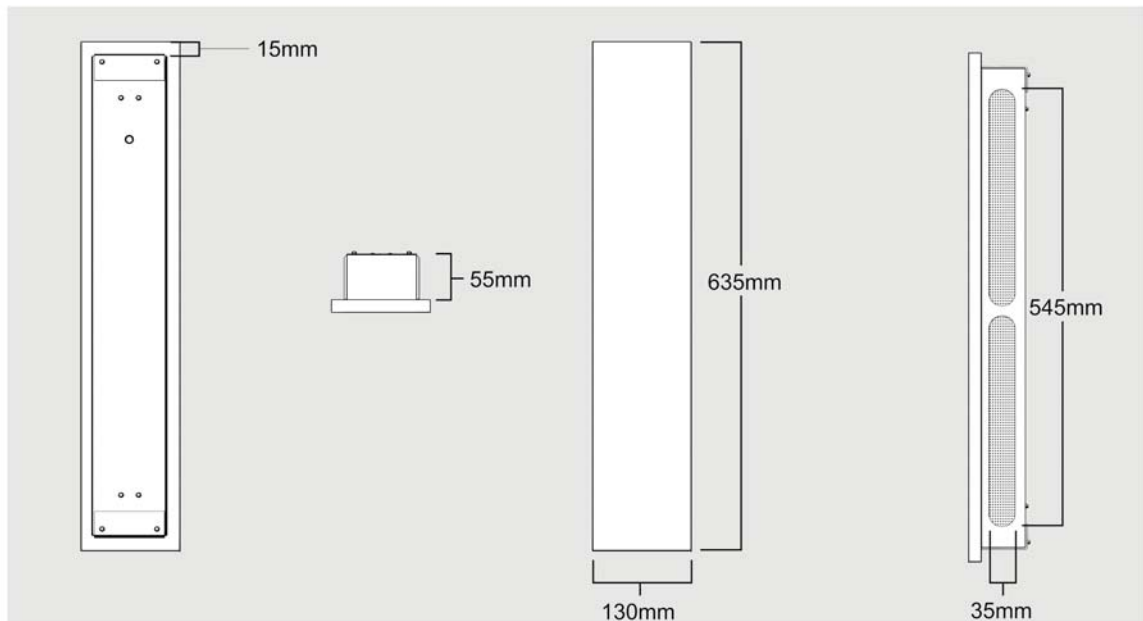
Luminaire equipped with on/off or DSI
or DALI

Designed by

Duncan Beard

LED-information

3000/4000 K: Ra (CRI) min. 80,
MacAdam 3 SDCM.
Driver life-time: up to 50.000 h/10 %
(max failure).



4400lm	W	CRI	CCT	White	Black	Timber
Up / Down	26	>80	2700K	BM-1001	BM-1002	BM-1003_timber
	26	>80	3000K	BM-1004	BM-1005	BM-1006_timber
	26	>80	4000K	BM-1007	BM-1008	BM-1009_timber

2200lm	W	CRI	CCT	White	Black	Timber
Single Direction	13	>80	2700K	BM-1010	BM-1011	BM-1012_timber
	13	>80	3000K	BM-1013	BM-1014	BM-1015_timber
	13	>80	4000K	BM-1016	BM-1017	BM-1018_timber

Add suffix .DALI for Dali dimming
 Add suffix .DSI for DSI dimming

Weight	Light Source	Ballast
3.0kg	LED	Driver Included

Create a look that is best for your space!

Customised colours and colour combinations as well as various materials for finishes of the VEGA LED are available. Customised lumen packages are also available upon request.